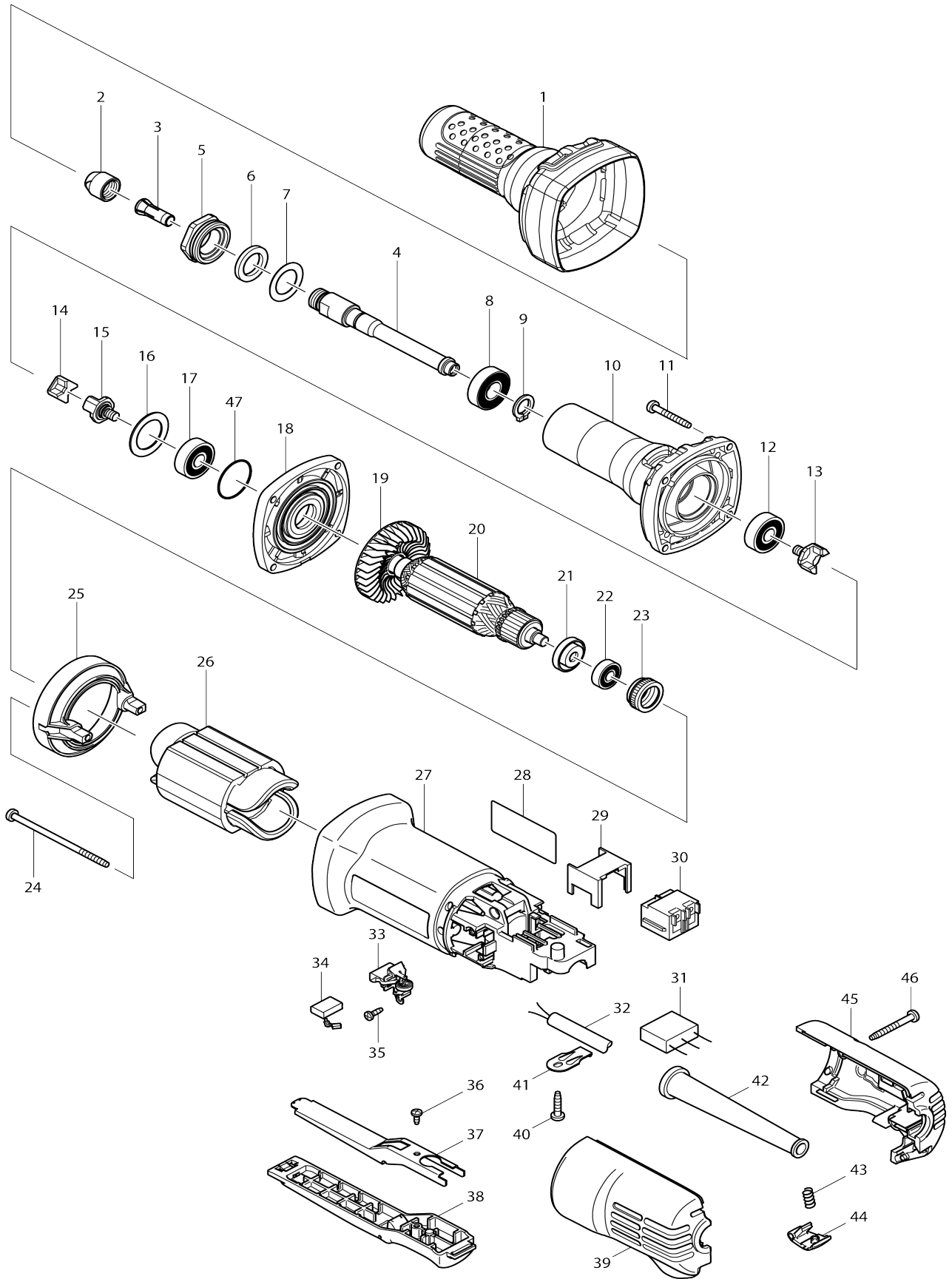


# Model No.GD0600 DIE GRINDER



# Model No.GD0600 DIE GRINDER

Item No.	Parts No.	Description
001	421943-7	INSULATION COVER
002	763664-8	COLLET NUT 6
003	763620-8	COLLET CONE 6MM
003-1	763620-8	COLLET CONE 6MM
004	324638-0	SPINDLE
005	317999-5	BEARING RETAINER
006	443124-3	FELT RING 17
007	267329-9	FLAT WASHER 18
008	210106-8	BALL BEARING 6001LLB
009	961052-5	RETAINING RING (EXT) S-12
010	318000-9	BARREL
011	266361-0	TAPPING SCREW 4X30
012-1	210042-8	BALL BEARING 629LLB
013	324639-8	COUPLING
014	421942-9	SPACER
015	324639-8	COUPLING
016	267126-3	FLAT WASHER 22
017-1	210042-8	BALL BEARING 629LLB
018	317821-6	GEAR HOUSING COVER
019	240076-7	FAN 56
020	515679-9	ARMATURE ASS'Y 240V
020		INC. 19,21,22
021	681636-0	INSULATION WASHER
022	210034-7	BALL BEARING 607LLB
023	421868-5	LABYRINTH RUBBER RING 19
023-1	422768-2	LABYRINTH RUBBER RING19
024	266345-8	TAPPING SCREW 4X80
025	418770-1	BAFFLE PLATE
025-1	457791-8	BAFFLE PLATE
026	621724-1	FIELD 230-240V
027	418838-3	MOTOR HOUSING
028	862168-8	GD0600 NAME PLATE
029	418729-8	SPACER
030-1	651947-7	SWITCH 1247.0302
031	645233-6	NOISE SUPPRESSOR
032	665394-6	POWER SUPPLY CORD 1.0-2-2.5
033	643760-7	BRUSH HOLDER
034	194074-2	CARBON BRUSH CB-325
035	266007-8	TAPPING SCREW BIND PT 3X10
036-1	266492-5	TAPPING SCREW 3X8
037	345504-8	PLATE
038	154584-1	SWITCH LEVER B COMPLETE
039	183943-2	REAR COVER SET
039		INC. 45
039-1	183U00-2	REAR COVER SET
039-1		INC. 45
040	266326-2	TAPPING SCREW 4X18

041	687169-3	STRAIN RELIEF
042	682559-5	CORD GUARD 8
043	231252-4	COMPRESSION SPRING 6
044	418842-2	LOCK ON BUTTON
045	183943-2	REAR COVER SET
045		INC. 39
045-1	183U00-2	REAR COVER SET
045-1		INC. 39
046	266351-3	TAPPING SCREW 4X35
047	213445-5	O-RING 26
A01	781039-9	WRENCH 13